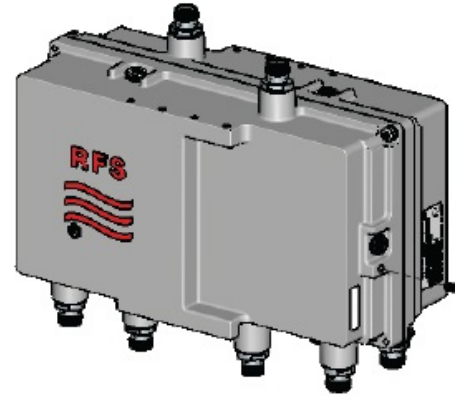




ShareLite™ 694-862/880-960/1427-1880/1920-2700 MHz Quadplexer with Auto DC/AISG Sense, Dual, 4.3-10 Connectors

The Sharelite FQEGDV Series of quadplexers is designed to enable feeder sharing among systems in the 694-862, 880-960, 1427-1880, and 1920-2700 bands. RFS' innovative cavity filter design provides a very low insertion loss of 0.3dB typical while keeping the product extremely compact and lightweight. The use of highly selective filters guarantees a high isolation level of 50 dB between ports, to ensure an interference-free environment for any technology deployed. The filter design incorporates lightning protection for additional reliability. Designed to withstand the most severe outdoor environments, the quadplexer features an IP67 class protection with a vented enclosure to avoid any possible effects of pressure instability, thus providing a long lasting, extremely reliable solution to any network.



FEATURES / BENEFITS

- ➔ Dual unit for use with X-pol antennas
- ➔ Auto DC sense to prevent installation mistakes and eliminate the need for DC stops
- ➔ Low insertion loss - maximizes performance
- ➔ High level of rejection between bands - Protects against interferences
- ➔ In-line connector placement - flexible installation positioning
- ➔ 4.3-10 connectors - Reduce tower loading with connectors that are 40% smaller and lighter than 7/16 DIN connectors
- ➔ Compact design and low weight - Eases installation and reduces tower loading
- ➔ IP67 Class protection - exceptional reliability and environmental protection

Technical Features

GENERAL SPECIFICATIONS

Product Type	Quadplexer / Cross Band Combiner			
Application	LTE700, LTE800, GSM900, 1500 L Band (LTE Band 32), GSM1800, LTE1800, UMTS, LTE2100, LTE2300, WCS, BRS, LTE2600			
Configuration	Dual Indoor/Outdoor			

ELECTRICAL SPECIFICATIONS

Branch		1	2	3	4
Frequency Range	MHz	694-862	880-960	1427-1880	1920-2700
Impedance	Ohms	50.0			
Frequency Band		LTE700	LTE800, GSM900	1500 L Band (LTE Band 32), GSM1800, LTE1800	UMTS, LTE2100, LTE2300, LTE2600
DC Pass		Auto DC Sense			
Insertion Loss	dB	0.35 typ. / 0.45 max.	0.35 typ. / 0.45 max.	0.25 typ. / 0.40 max	0.25 typ. / 0.40 max
Return Loss	dB	22 typ.	22 typ.	22 typ.	22 typ.
Isolation	dB	50.0	50.0	50.0	50.0
Power Handling Continuous, Max.	W	1200 at common port, 300 on each path			
Input Power, PEP	W	3000			
Rejection between bands	dB	50			
PIM at Common Port	dBm (dBc)	-118 (-161) @2x43 typ.			

TESTING AND ENVIRONMENTAL

Temperature Range	°C (°F)	-40 to 65 (-40 to 149)
Ingress Protection		IP67
Environmental		ETSI 300-019-2-4 Class 4.1E
Lightning Protection		EN/IEC 61000-4-5 Level 4

MECHANICAL SPECIFICATIONS

RF Connectors		4.3-10 Female; 8 ports in, 2 ports out
Weight	kg (lb)	10.5 (23.2)
Dimensions, H x W x D	mm (in)	210 x 330 x 120 (8.3 x 13 x 4.7)
Mounting		Wall mounting: with 4 screws (maximum 6mm diameter), not included Pole Mounting: with included clamp set, 40-110mm (1.57"-4.33")

Document Links

Notes

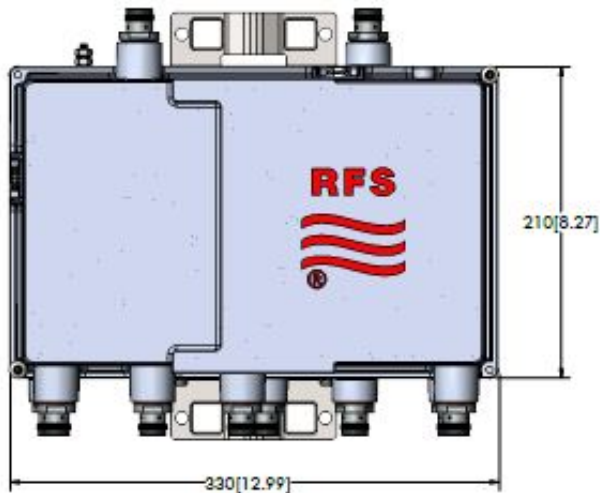
External Link Reference



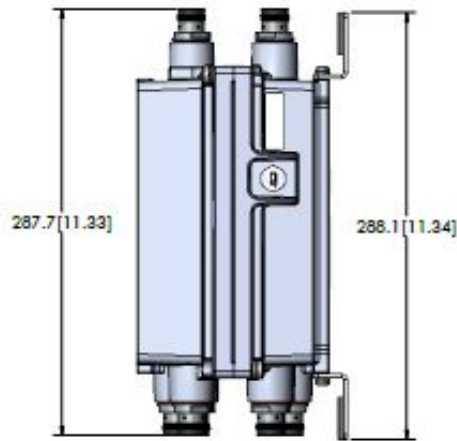
ShareLite™ 694-862/880-960/1427-1880/1920-2700 MHz Quadplexer with Auto DC/AISG Sense, Dual, 4.3-10 Connectors

FQEGDV5020D4 AUTO DC SENSE PRIORITY:

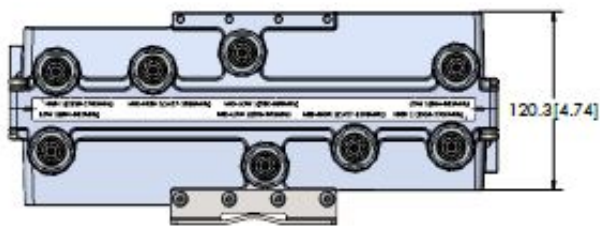
Type	Model Number	694-862 Path	880-960 Path	1427-1880 Path	1920-2700 Path
Dual	FQEGDV5020D4-S1	Auto DC Sense Priority 2	Auto DC Sense Priority 4	Auto DC Sense Priority 1	Auto DC Sense Priority 3



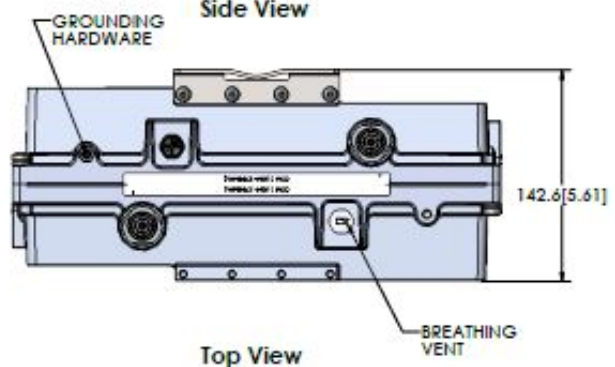
Front View



Side View



Bottom View



Top View